



STABILUS 3541, 3541G, 3545, 3545G

Backpack sprayers

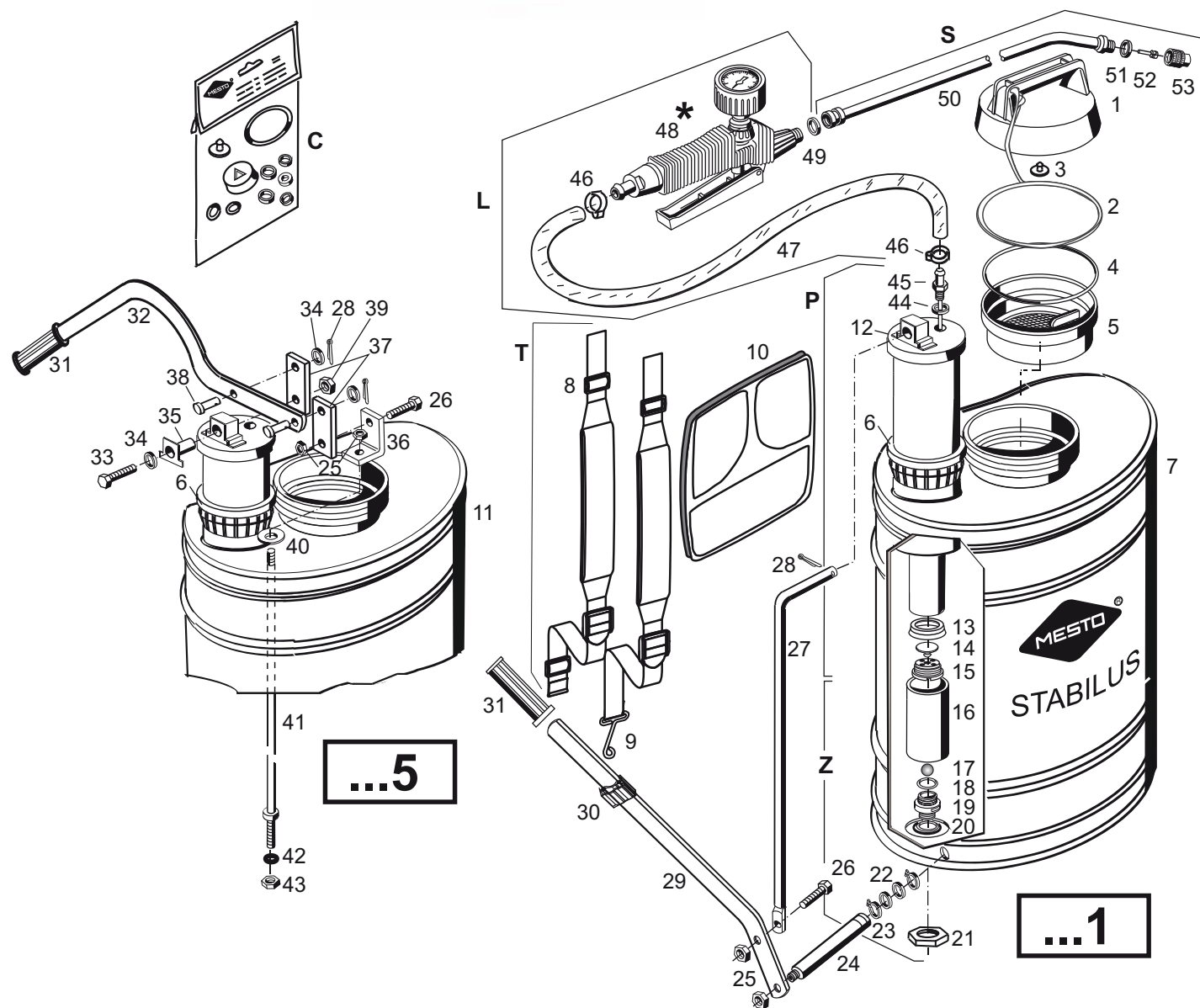


Fig.-No.	Ref.-No.	Description
C	7004	Service kit, containing parts 1
L	7307G	Discharge equipment
P	7239	Pump assy., brass
S	3658	Spray wand 50 cm with nozzle 1302
T	7121	Pair of carrying straps with pad
Z	7122	Cylinder cpl.
1	7119	Tank lid (screw type)
2	7601	Circlip for cover
3	6241	Valve disc with stud, NBR
4	7204	O-Ring D120 x 3,5 mm
5	7120	Filling strainer
6	7109	Guide ring
7	7114	Tank 18 l, stainless steel (3541.)
8	1100	Carrying strap with studs
9	1102	Hook
10	7138	Back padding
11	7117	Tank 18 l, stainless steel (3545.)
12	7216	Compression chamber, brass
13	7203 ₁	Piston washer
14	6241L ₁	Valve disc with stud, FPM
15	7230	Seat for pressure valve
16	7225	Cylinder
17	1202	Ball 14 mm
18	7201 ₁	O-ring D22 x 2,5 mm
19	7240	Suction valve
20	7205 ₁	O-ring D24 x 3 mm
21	7608	Hex. nut, plastic
22	7615	Intermediate disc D14 mm
23	7614	Circlip D14 mm
24	7504	Shaft
25	7532	Hexagonal nut M 8
26	7612	Hex. screw M 8 x 20
27	7512	Connecting rod
28	1604	Split pin D3 x 20 mm
29	7514	Pump lever
30	7531	Lance holder
31	7501F	Handle
32	7515	Pump lever (3525., 3545.)
33	7602	Hex. screw M 8 x 30
34	1611	Intermediate disc M 8
35	7503	Polyamid-bearing (3525., 3545.)
36	7500	Angled support
37	7509	Link
38	7510	Pivot bolt D8 x 20 mm
39	7600	Hex. nut M 8, flat
40	7206	Valve disc D25 x D7 x 3 mm
41	7214	Support rod
42	7616	O-ring D8 x 2,4 mm
43	7613	Hex. nut M 8, brass
44	1205 ₁	Gasket D14 x D9,7 x 2 mm
45	7305	Outlet tube with hose socket
46	1601	Hose clamp
47	1364	Hose PVC D10 mm x 1,2 m
48	1344G	Shut-off valve D10 mm with pressure gauge
49	1206	O-ring D10 x 3 mm
50	3650	Spray wand 50 cm without nozzle
51	1360 ₁	Gasket D15 x D11 x 2 mm
52	1301	Swirl core, fine
53	1302	Nozzle, orifice, 1,1 mm

* = Spare parts details on page „Shut-off valves (big, reinforced plastic)“

Shut-off valves
(big, reinforced plastic)

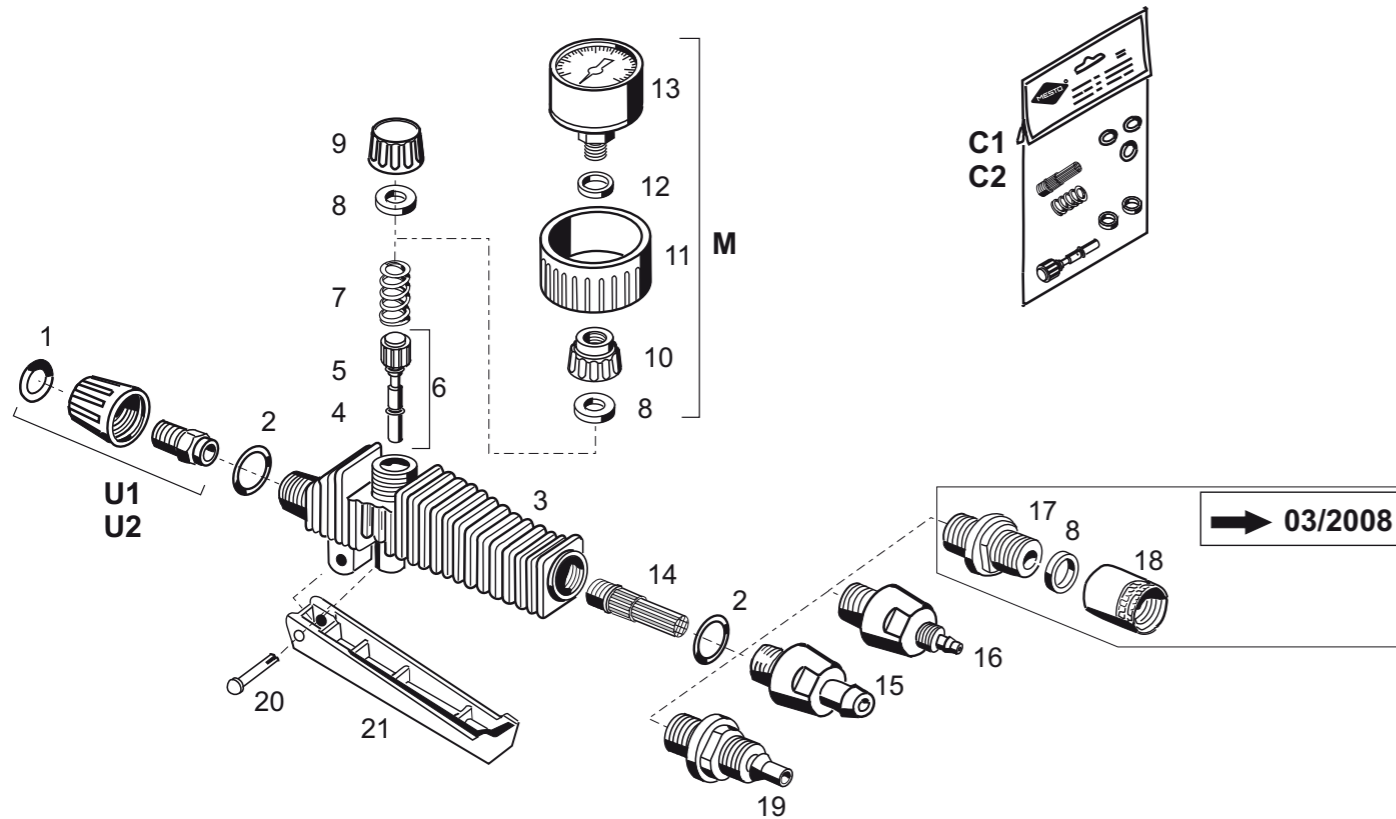


Fig.-No.	Ref.-No.	Description
C1	1004	Service kit 1344, 1348, NBR, containing parts 3
C2	1004L	Service kit 1344, 1348, FPM, containing parts 4
M	7702	Pressure gauge 6 bar shock protected
U1	1352	Adapter, cpl. female 18 x 1.5 / male 11 x 1
U2	1352L	Adapter, FPM female 18 x 1.5 / male 11 x 1
1	1206 ₃	O-ring D10 x 3 mm, NBR
1	1206L ₄	O-Ring D10 x 3 mm, FPM
1	1206E	O-Ring D10 x 3 mm, EPDM
2	6240 ₃	O-ring D17 x 2.5 mm, NBR
2	6240L ₄	O-ring D17 x 2.5 mm, FPM
3	1335	Valve body
4	1386	O-ring D4, 42 x 2.62 mm, NBR
4	1386L	O-ring D4, 42 x 2.62 mm, FPM
4	1386E	O-ring D4, 42 x 2.62 mm, EPDM
5	1387	O-ring D3 x 1.5 mm, NBR
5	1387L	O-Ring D3 x 1.5 mm, FPM
5	1387E	O-Ring D3 x 1.5 mm, EPDM
6	1354 ₃	Valve piston with O-rings, NBR
6	1354L ₄	Valve piston with O-rings, FPM
6	1354E	Valve piston with O-rings, EPDM
7	1382 _{3,4}	Spring
7	1382T _{3,4}	Spring coated
8	1361	Gasket D17 x D8 x 2.3 mm
9	1381	Screw cap
10	1156	Reducer
11	1711	Protective cup
12	1205	Gasket D14 x D9.7 x 2 mm
13	6701	Pressure gauge 6 bar
14	1373 _{3,4}	Filter
15	1162	Sight glass with hosetail D10 mm
16	1162S	Hosetail, spiral hose, with viewing glass
17	1338A	Nipple M 18 x 1.5 double male
17	1338L	Nipple M 18 x 1.5 double male, FPM
18	1405	Socket M 18 x R 1/4"
19	1338	Hosetail D8 mm PP
20	1369	Swivel pin
21	1336	Trigger